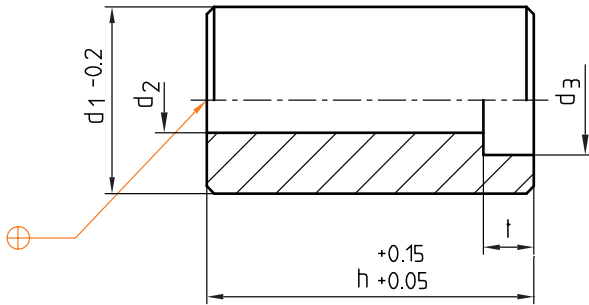
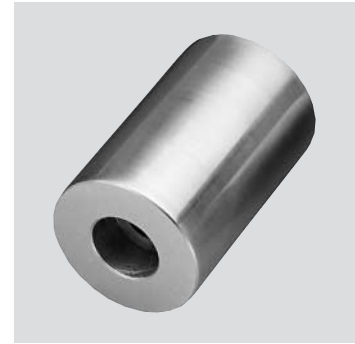


Z571/...

Mat.: 1.1730/640 N/mm²



d ₂	d ₃	t	d ₁	h	Nr./No.
9	15	9	32	46	Z571/32x 46
				56	56
				66	66
				76	76
				86	86
11	18	11	40	46	Z571/40x 46
				56	56
				66	66
				76	76
				86	86
14	20	14	50	56	Z571/50x 56
				66	66
				76	76
				86	86
				96	96
				116	116

d ₂	d ₃	t	d ₁	h	Nr./No.
14	20	14	63	56	Z571/63x 56
				66	66
				76	76
				86	86
				96	96
18	26	18	80	76	Z571/80x 76
				86	86
				96	96
				116	116
				136	136
				156	156

This is trial version
www.adultpdf.com